

# Express 100 DC Commercial Charging Stations

## Specifications and Ordering Information

### Ordering Information

Specify model number followed by the applicable code(s).  
The order code sequence is: **Model-Options. Warranty** and **Misc** are ordered as a separate line item.

Description		Order Code
Model	Single port, single connector, 25kW, SAE Combo connector	CPE100I-S-CMB
Option	Floor Mount Stand	CPE100I-STAND
Warranty	ChargePoint Assure	CPE100-ASSURE $n^*$

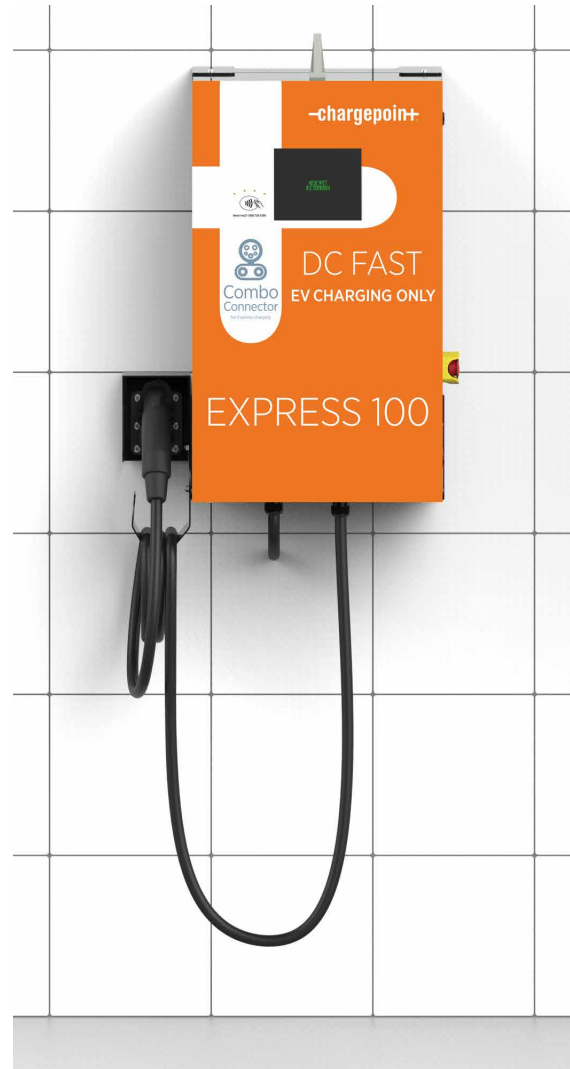
\*Substitute  $n$  for the duration of the additional years of coverage (1 or 2 years)

### Order Code Examples

If ordering this	the order code is
Single port, single connector, 25kW, Combo connector and 2 additional years of ChargePoint Assure	CPE100I-S-CMB CPE100-ASSURE2
24kW single port, SAE Combo connector, floor mount and 1 additional year of ChargePoint Assure	CPE100I-S-CMB CPE100I-STAND CPE100-ASSURE1

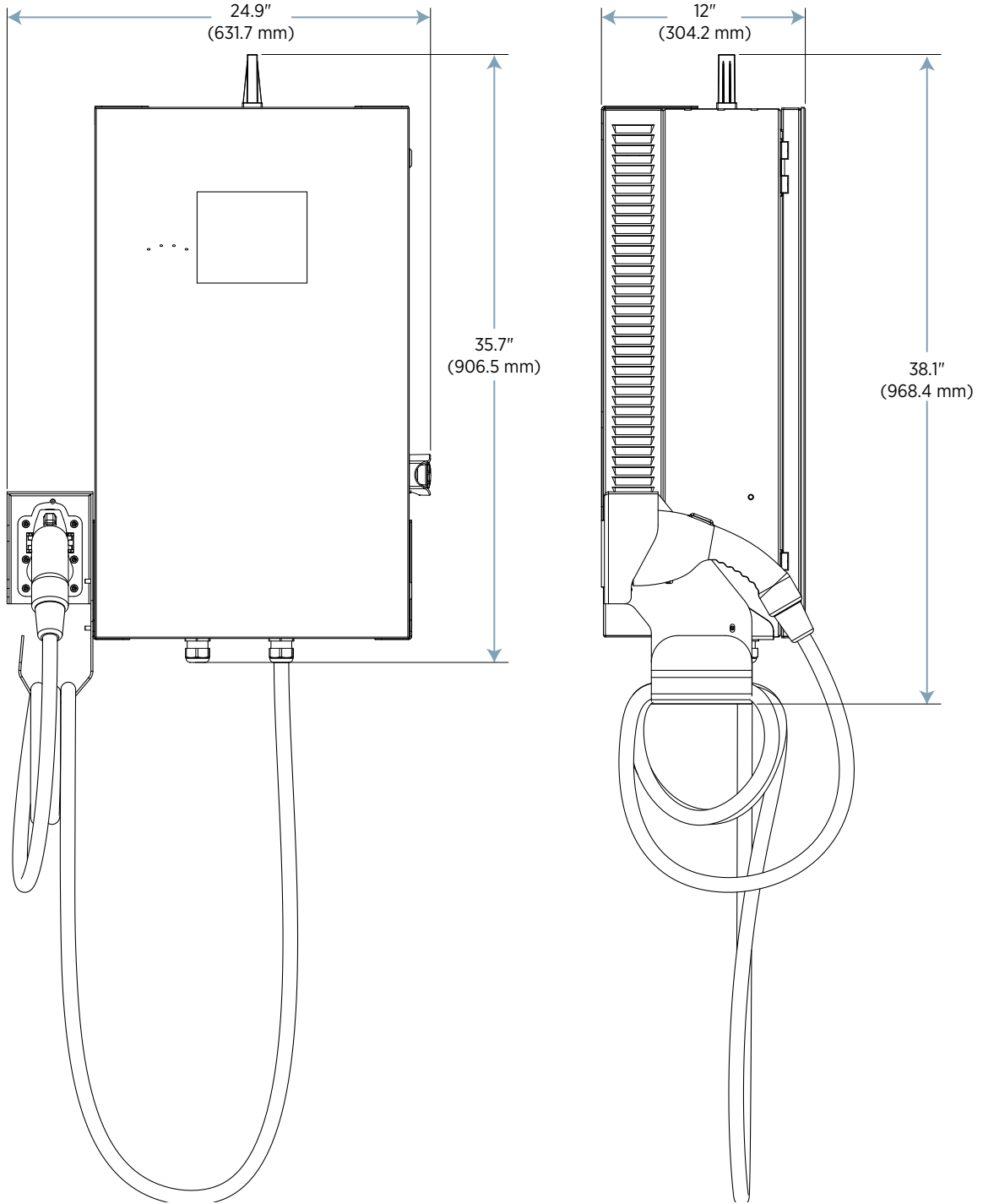
### Recommended Companion Products

Description	Order Code
ChargePoint Commercial Service Plan, 3-year Subscription	CTSW-SAS-COMM-DC-3
Station Initial Activation	CPSUPPORT-ACTIVE
Station Management Service, 3-year Subscription	CPSUPPORT-MGMT3

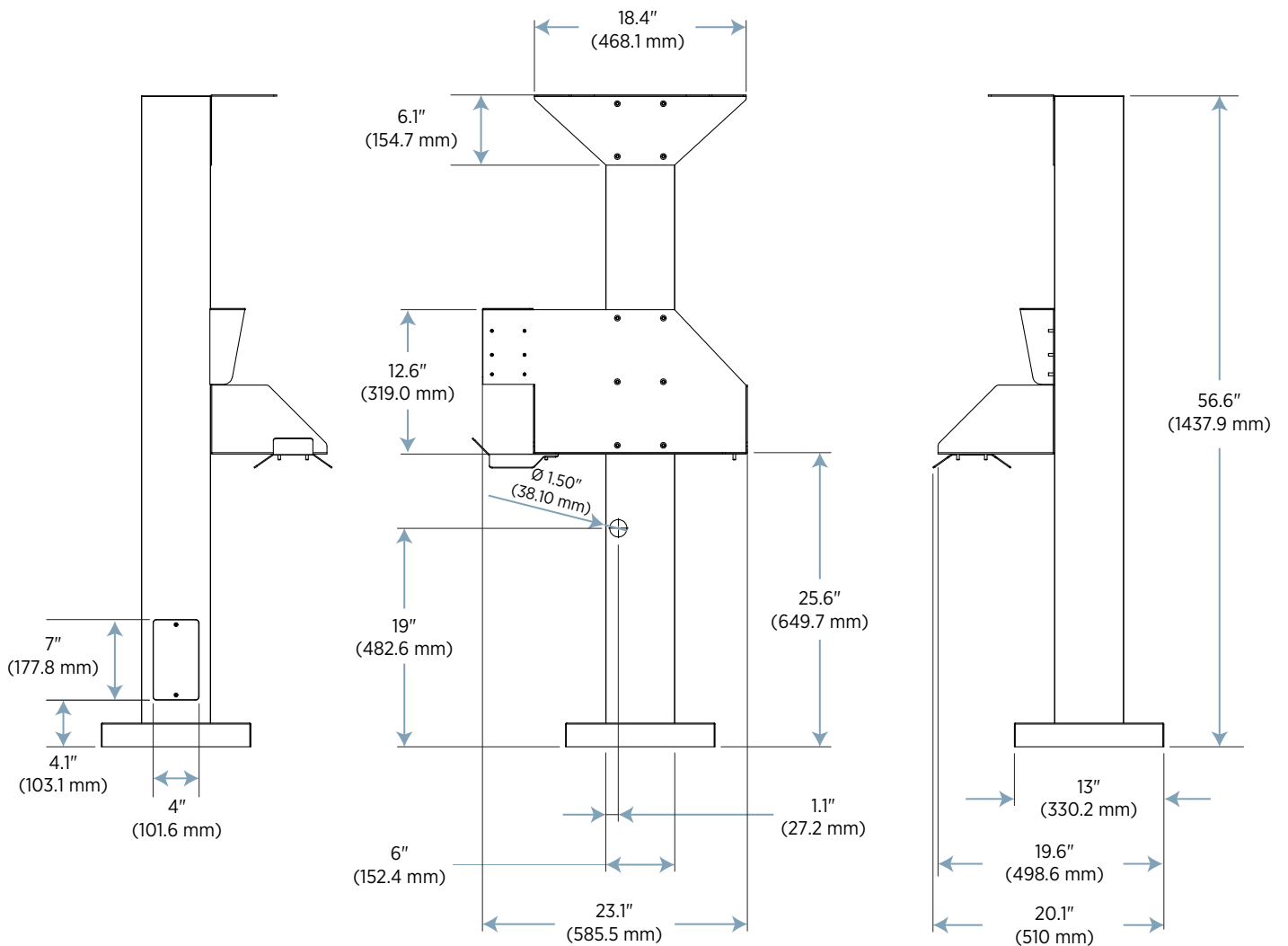
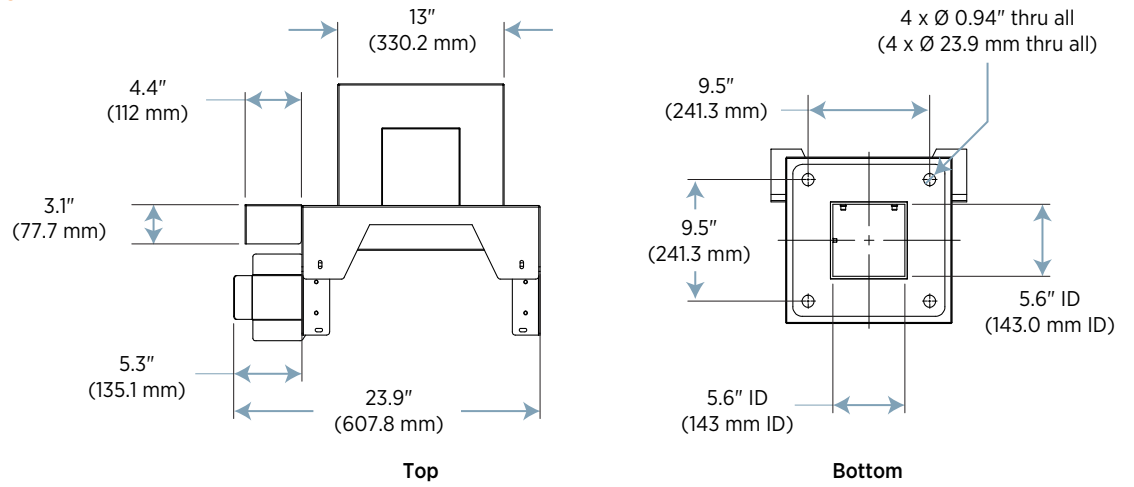


Express 100

## Express 100 Charging Station



Express 100 Stand



## Express 100 Specifications

### Electrical Input

Input Power	26.6 kW
Input Voltage	400 - 480VAC 3 phase
Input Current	32A @ 480VAC
Input Frequency	60Hz ±5%
Required Service Panel Breaker	3-pole 40A breaker on dedicated circuit, non-GFCI type
Standard Wiring	4-wire 3 phase (L1, L2, L3, Earth)

### Electrical Output

Nominal Output Power	24kW (@387-460 V)
Output Voltage	300 - 460VDC
Output Current	62A max

### Functional Interfaces

Connector Types	CCS1 (SAE J1772 Combo)
Cable Length	20' (6.1 Meters)
LCD Display	2 line LCD display
Card Reader	ISO 15693, ISO 14443, NFC

### Safety and Connectivity Features

Vehicle Safety Communication	CCS1 -SAE J1772 Combo over PLC
Plug-Out Detection	Power terminated per JEVS G104
Power Measurement Accuracy	+/- 2% from 10% to full scale
Power Report/Store Interval	15 minute, aligned to hour
Wide Area Network	3G GSM, 3G CDMA

## Contact Us

To order your ChargePoint Express 100 charging station:

☎ Call +1.408.841.4500 or +1.877.370.3802 (US toll free)

@ Email [sales@chargepoint.com](mailto:sales@chargepoint.com)

### Safety and Operational Ratings

Enclosure Rating	Type 3R, IP 54
Safety Compliance	UL Listed for USA cUL certified for Canada: complies with UL 2202, UL 2231-1, UL 2231-2
Surge Protection	6kV @ 3000A. In geographic areas subject to frequent thunder storms, supplemental surge protection at the service panel is recommended.
EMC Compliance	FCC part 15 subpart B
Efficiency	>94%
Power Factor	0.93
Cooling	Forced air cooled
Operational Altitude	<6,000 feet, power derating applies at higher altitudes
Operating Temperature	14°F to 104°F (-10°C to +40°C)
Storage Temperature	14°F to 104°F (-10°C to +40°C)
Operating Humidity	Up to 95% @ 122°F (+50°C) non-condensing

### Generic Specifications

Dimensions	31.1"H x 19.3"W x 12.2"D (790 x 490 x 310 mm)
Shipping Dimensions	43"H x 25"W x 25"D (1092 x 635 x 635 mm)
Weight	110 lb (50 kg)
Shipping Weight	176 lb (80 kg)

### Express 100 Stand Specifications

Material	Stainless steel
Installation footprint	13" x 13" (330 x 330 mm)
Dimensions	56.6"H x 23.9"W x 20.1"D (1422 x 584 x 508 mm)

ChargePoint, Inc. reserves the right to alter product offerings and specifications at any time without notice, and is not responsible for typographical or graphical errors that may appear in this document.



ChargePoint, Inc.  
254 East Hacienda Avenue | Campbell, CA | 95008-6617 USA  
+1.408.841.4500 or toll free +1.877.370.3802  
[chargepoint.com](http://chargepoint.com)

Copyright © 2015 ChargePoint, Inc. All rights reserved. CHARGEPOINT is a U.S. registered trademark/service mark, and an EU registered logo mark of ChargePoint, Inc. All other products or services mentioned are the trademarks, service marks, registered trademarks or registered service marks of their respective owners. DS-CPE100-00. June 2015. PN 73-001069-01-1.

Printed on paper made with 100% post-consumer fiber and 100% certified renewable energy, and processed chlorine free.

